

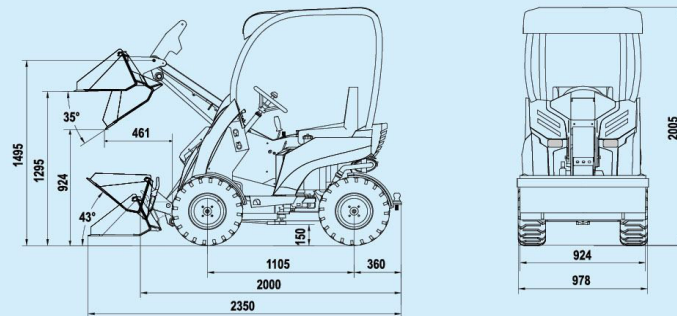
MINI LOADER

SMALL MACHINE BIG FUNCTION



 **HYSOON**
www.hysoon.cn

Dimensions(mm)



Main Technical Specifications

Model		HY200		
Engine	Rated power (KW)	14.9(20HP)		
	Rotating speed (rpm)	3600		
Fuel volume (L)		9		
Hydraulic oil volume (L)		20		
Noise (dB)		≤85		
Hydraulic System	Hydraulic pressure (Mpa)	17.5		
	Cycle time (s)	Raise	Dump	Lower
		3.8	1.34	2.38
Capability Parameter	Operating load (Kg)	200		
	Bucket capacity (m ³)	0.2		
	Max. pushing power (KN)	350		
	Max. lifting power (KN)	500		
	Speed (Km/h)	0-12		
	Operating weight (Kg)	840		
Tire		21×8.00-10TR		

Specifications are subject to change without notice

WEIFANGTRAC
Generalvertretung

- WEIFANGTRAC LTD.
- STADENER STR. 15
- D-61197 FLORSTADT
- TEL: +49 (0) 6035 - 709 58 25
- FAX: +49 (0) 6035 - 709 58 26
- EMAIL: INFO@WEIFANGTRAC.EU



Articulated steering chassis and four-wheel drive:

HY200 garden machine equipped articulated steering mechanism, is more flexible and versatile than small tractors. Its strong and sustained four-wheel drive by four motors directly ensures HY200 a more powerful driving force.

Easier operation:

HY200 is adopting a smooth hydrostatic transmission, which is continuously variable and controlled by only two foot pedals, one forward and the other backward. Its moving and controlling is much easier.



Security:

360-degree rotation angle of sight, automatically balanced lifting devices, strong and reliable cab bumper, all ensures the driver's safety and comfort. Its cab has larger space than its similar machines, makes operation more comfortable. The cab can be uninstalled when in special circumstances to apply to a more narrow space.



Multi-function more efficient:

The powerful hydraulic assistant system can bring a lot of subsidiary tools which can do lots of work efficiently whatever in property maintenance, parks, courtyards, lawns, gardens or other venues environment. HY200 is a multi-purpose machine.

ATTACHMENT



Backhoe

Weight: 185kg
 Max digging depth: 1360mm
 Max digging radius: 2271mm
 Bucket capacity: 0.014m³
 Size: 1206×1196×1600mm
 Bucket lifting force: 33KN



Auger

Φ150mm-Φ600mm
 Depth: 1000mm
 Displacement of motor: 420ml/r
 Torque: 1800N·m
 Weight: 175kg



High Dump Bucket

Size : 1036 x 638 x 506mm
 Weight : 112 Kg
 Max dumping angle : 58°
 Bucket capacity : 0.19 m³
 Max dumping height: 1723mm
 Minimum dumping distance: 655mm
 Rated loading: 140Kg



Angle Blade

Length: 660mm
 Depth: 880mm
 Height: 330mm
 Rotation: ±30°
 Weight: 120kg



Digger

Bucket width: 310mm
 Digging depth: 1-1667mm
 Lifting capacity: 53KN
 Bucket digging force: 33KN
 Weight: 95kg



Tiller

Size: 1320×594×475mm
 Weight: 98 Kg
 Working width: 1000mm
 Working depth: 60-150mm
 No of coulter: 25



Lawn Mower

Width: 1200mm
 No. of blade: 3
 Displacement of motor: 25ml/r



Mixer

Size: 713mm×550mm×550mm
 Weight: 126 Kg
 Rated loading: 120 Kg
 Max mixing capacity: 0.12 m³



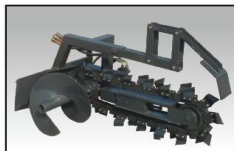
Hydraulic Grapple

Depth: 820mm
 Length: 760mm
 Width: 900mm
 Volume: 0.40m³
 Weight: 120kg



Fork

Fork length: 730-1100mm
 Lifting capacity: 150kg
 Length: 1260mm
 Width: 900mm
 Height: 430mm
 Weight: 98kg



Trencher

Size: 1527mm×1010mm×895mm
 Weight: 177 Kg
 Max trenching depth: 915mm
 Once trenching width: 155 mm
 Trenching speed: 0.7m/min



Hydraulic Breaker

Pressure: 90-110 bar
 Frequency: 10-13Hz
 Diameter of rod: Φ45mm
 Working flow: 25-35l/min
 Weight: 135kg



4 in 1 Bucket

Length: 1325mm
 Depth: 596mm
 Height: 525mm
 Volume: 0.15m³
 Weight: 80kg



Snow Blower

Height: 500mm
 Width: 1000mm
 Max blowing distance: 25mm
 Blade Diameter: Φ320mm
 Weight: 136kg



Leveler

Weight: 72.76kg
 Size: 1025×1200×390mm
 Area of level soil: 12.3m²



Ripper

Weight: 46.56kg
 Size: 377×435×870mm
 Max loosening soil depth: 274mm