

All Rights Reserved
Materials and specifications are subject to change without notice.
Featured machines in photos may include additional equipment. See your XCMG dealer for available options.



Hydraulic Excavators
XE155ECR



XCMG European Sales and Services GmbH

Address: Europark Fichtenhain B 4,47807 Krefeld, Deutschland
Tel: +49 (0) 2151 8206 890
Fax: +49 (0) 2151 8206 899
E-Mail: info@xcmg-ess.de

XUZHOU CONSTRUCTION MACHINERY GROUP IMP. & EXP. CO., LTD

Address: No.1, Tuolanshan Road, Xuzhou Economic Developing Zone, Jiangsu, China 221004
Tel: + 86(0) 516 8773 9703
Fax: + 86(0) 516 8773 9230
E-Mail: europe@xcmg.com

www.xcmg.com

Rated Power:90 kW
Operating Weight: 16.6-16.85 t
Standard Bucket Capacity: 0.32-0.7 m³





INTRODUCTION OF XCMG

Founded in 1943, XCMG is a multinational corporation with the most comprehensive range of competitive, influential products in the construction machinery industry. Our business covers eight key areas: construction machinery, heavy trucks, mining machinery, sanitation machinery, machinery components, construction, finance, and the ICT industry.

XCMG has established a global R&D network with a total of six centers in China, the US, Germany, Brazil and India, with the China national technology center at its core. In addition to a number of manufacturing bases in China, the US, Germany, the Netherlands, Poland, Austria, Brazil, India, and Uzbekistan, we possess two complete machine brands (XCMG, Schwing) and several component brands including FT and AMCA. The strength of this global R&D network and the manufacturing operations made XCMG the industry-leading global construction equipment manufacturer that it is today.

For more than 30 years, XCMG has been sowing the seeds of overseas development as the No. 1 exporter in China's construction machinery industry. Today, we have 42 branches and offices, 315 distributors, and 526 contractors in 188 countries and regions worldwide and we are still growing rapidly.

XCMG IN EUROPE

Since its foundation in 2012, XCMG is gradually establishing a complete network including: R&D department, local distribution, supply chain management and an integrated customer services and training center. Nowadays, with 3 branches, XCMG has over 100 multinational employees in Europe, of which more than 50 % are R&D engineers:

ERC: XCMG European Research Center GmbH

EPC: XCMG European Purchasing Center GmbH

ESS: XCMG European Sales and Services GmbH

Our local professional R&D team and our cutting-edge innovation platform guarantee that our products are carefully crafted to the smallest detail according to the diverse needs of European customers.



XCMG XE155ECR builds further on its reputation from the previous series based on the quality, reliability and durability. The enhancements deliver the best in class fuel efficiency while not compromising on power, reducing emissions and consumption, while increasing productivity.

If you are looking to get your work done with a durable brand, you can trust XCMG and look no further than our XE155ECR.

► **RELIABILITY:**

Even under the harshest conditions, XCMG has made its aim to build long-life products. XCMG has already a long relationship with the best component suppliers in the world. Cummins engines, Kawasaki KPM hydraulic pumps, main control valve and swing motor, and high quality travel motors guarantee you the best performance. Oversized cylinders in combination with long-life reinforced pins, polymer shims and bushings ensure best performance with unchanged durability.

► **PRODUCTIVITY AND EFFICIENCY:**

Strong and unmatched bucket and arm digging forces give XE155ECR the ability to fulfil the most challenging tasks on your jobsite with excellent productivity and efficiency.

► **SAFETY SOLUTIONS:**

A rear camera, side camera (optional) and large side mirrors, powerful LED lighting, anti-slip steps and platforms. Guard rails for safe access to the upper structure. The ROPS (Roll Over Protective Structure) and the OPG (Operator Protective Guard) cabin ensure the operator's safety.

► **VERSATILITY:**

Multiple boom and arm sizes together with special configurations are available to efficiently carry out any task your business requires.

► **ATTACHMENTS CONTROL:**

The self-developed multi-functional machine and attachment intelligent control system supports operations such as crushing, demolition, compacting, milling, hoisting, and many more. The system supports the operator in an easy way in the most demanding and complicated tasks.

► **COMFORTABILITY:**

The new modernized generation cab has ample space, improving control ergonomics, with low noise and vibration levels, and excellent all-round visibility. A fully adjustable heated air suspension seat and air conditioning with climate control as standard.

► **CONTROLLABILITY:**

8 attachment and 3 power modes, proportional control with a user-friendly 8" TFT LCD color monitor.

► **STRONG POWER:**

Exceptionally powerful and fuel efficient with high torque at low revs – the Stage V compliant Cummins B4.5 engine is equipped with a Diesel Particulate Filter (DPF) and an associated regeneration system for less emissions.

► **ADVANCED FILTRATION:**

Easily accessible highly efficient filters and cleaners that remove all contamination from your job site and protect your investment in the best possible way.

► **SIMPLE AND EASY MAINTENANCE:**

Easy access to all compartments. Fault code and brief are directly available from monitor.

► **UNDERCARRIAGE DURABILITY:**

The CAE-designed X-shape undercarriage enables even weight distribution, increases stability and durability, and prevents damage from rocks and debris.

► **Reduced tail swing radius:**

The ultra-short tail gyration radius makes it easier to work in small spaces. This machine has not only a short rear radius but also a short front turning radius. In urban areas, it is a great advantage when you only need 4 m to turn around.





Excellent Performance and Fuel Economy

► Power without compromise

The XE155ECR makes handling your task efficient and comfortable.

The optimized Kawasaki-KPM hydraulic system makes sure that all that engine power is used in the best possible way by delivering accurate maximum pumping in a smooth way.

All that power has reliably increased the digging power, the lifting capacities, and the traction force.

Greater fuel efficiency means you can keep costs down and reduce environmental impacts.



POWER MATCH TECHNOLOGY

The XE155ECR is equipped with a Cummins B4.5 engine. Famous for its excellent fuel efficiency, reliability and long service intervals it combines exceptional power output and high torque at low revs.

Selective Catalytic Reduction (SCR) technology - combined with a Diesel Particulate Filter (DPF) - ensures compliance with Stage V regulations.

If the engine is the heart of the excavator, the XICS (XCMG Intelligent Control System) is its brain - providing a perfectly synchronized communication link between the engine's ECU (Electronic Control Unit) and the hydraulic system. The CANBUS (Controller Area Network) system enables a constant flow of information between engine and hydraulic system, so that power is delivered exactly as needed.

FUEL ECONOMY TECHNOLOGY

• A choice between 3 power modes and 8 attachment modes guarantees optimum performance under all conditions.

• Electronic control of fuel consumption.

• The auto-idle function reduces the engine speed when the controls are inactive for a preselected amount of time or when the safety lever is switched off. The engine will immediately return to its original selected speed when the operator touches the controls.

• For optimum cooling, the fan speed is controlled by a viscous clutch that results in lower fan noise with better fuel efficiency

Easy hydraulic maintenance:

- 2000/4000 hours of hydraulic oil replacement (depending on the hydraulic oil type)
- Replace the hydraulic oil return filter after 500 hours
- Replacement of the hydraulic oil suction filter element after 2000 hours

Less engine service:

- 500 hours engine diesel filter replacement
- 500 hours engine oil and filter replacement
- The long service intervals guarantee limited downtime.



First Choice for Comfort

The XE155ECR cabin is designed to support increased productivity with a spacious comfortable operator environment. The pressurized cab is ISO-certified for your safety and offers a comfortable heated fully adjustable air-suspension seat with several storage compartments and a clear all-round view of your jobsite. The reduced noise and vibration levels with automatic air-conditioning/climate-control will make your workday more easy and comfortable.



Power

An industry-leading Cummins engine that saves on fuel and meets the Stage V/Tier 4 F emission regulations powers the XCMG XE155ECR.

Advanced control technology

Ergonomic, advanced and simple-to-operate - Kawasaki's proportional joystick delivers ultra-precise and smooth control over all movements.

The orientation of the joystick's rollers and the buttons is adjustable.

Air conditioning with automatic climate control

A choice from 5 different working modes to regulate airflow to adjust the system's air temperature maintains the optimal desired temperature. A recirculated air function is also available.

Bluetooth/MP3/USB radio as standard and DAB radio as option

Bluetooth FM radio is fitted as standard and DAB radio can be ordered optionally.

Storage space

The new cab has 7 storage compartments – including a hot/cool box, a storage box for magazine/papers, and a cup holder.

Cab suspension

Even at the roughest applications where you are working, the cab's improved new suspension system dampens and smoothens out unwanted feedback from your jobsite.

Quick coupler control

A standard quick coupler hydraulic system with pipelines lets you exchange your attachment easily from the operator's seat. It facilitates the most common systems.



- 1 Operator's station
- 2 Ergonomic travel pedals
- 3 Heated air suspension seat
- 4 All around AC and heating
- 5 Proportional hydraulic joystick
- 6 High quality speakers
- 7 Hammer control pedal
- 8 Engine stop switch
- 9 Color LCD monitor
- 10 Safety lever

Machine interface

All machine interfaces – including joysticks, keypad, panel, and larger LCD monitor – are ergonomically designed for optimum control and efficiency, resulting in increased productivity and workplace wellbeing. The switches have been simplified and climate control is now integrated into the keypad for easy adjustments.

- The new multi-function 8" TFT LCD monitor displays a comprehensive range of useful technical information, allowing you to check the machine's status and settings at a glance.
- Highly sensitive and low-effort joysticks and clear convenient controls enable you to work smooth and safely with minimum effort for increased comfort and efficiency.
- The newly adjustable proportional auxiliary functions support precise and smooth control of your attachments.

Intelligent Monitor

The upgraded 8" TFT monitor features a day and night display with full user access to the machine settings and running data. Any abnormality is clearly displayed on the screen, allowing you to work safely and confident with an accurate overview of all conditions.

All important data can be directly monitored from the main screen.

- | | |
|-------------------------|-----------------------|
| 1. Bluetooth | 2. Energy saving icon |
| 3. Travel speed (H/L) | 4. Automatic idle |
| 5. Power boost | 6. Work mode |
| 7. Mode and gear | 8. Notification icon |
| 9. Camera | 10. Time and date |
| 11. Urea level | 12. Mute button |
| 13. Main interface set | 14. Menu |
| 15. Coolant temperature | 16. Fuel level |
| 17. Camera channel | 18. Fault code area |
| 19. Fault description | 20. Hour meter |



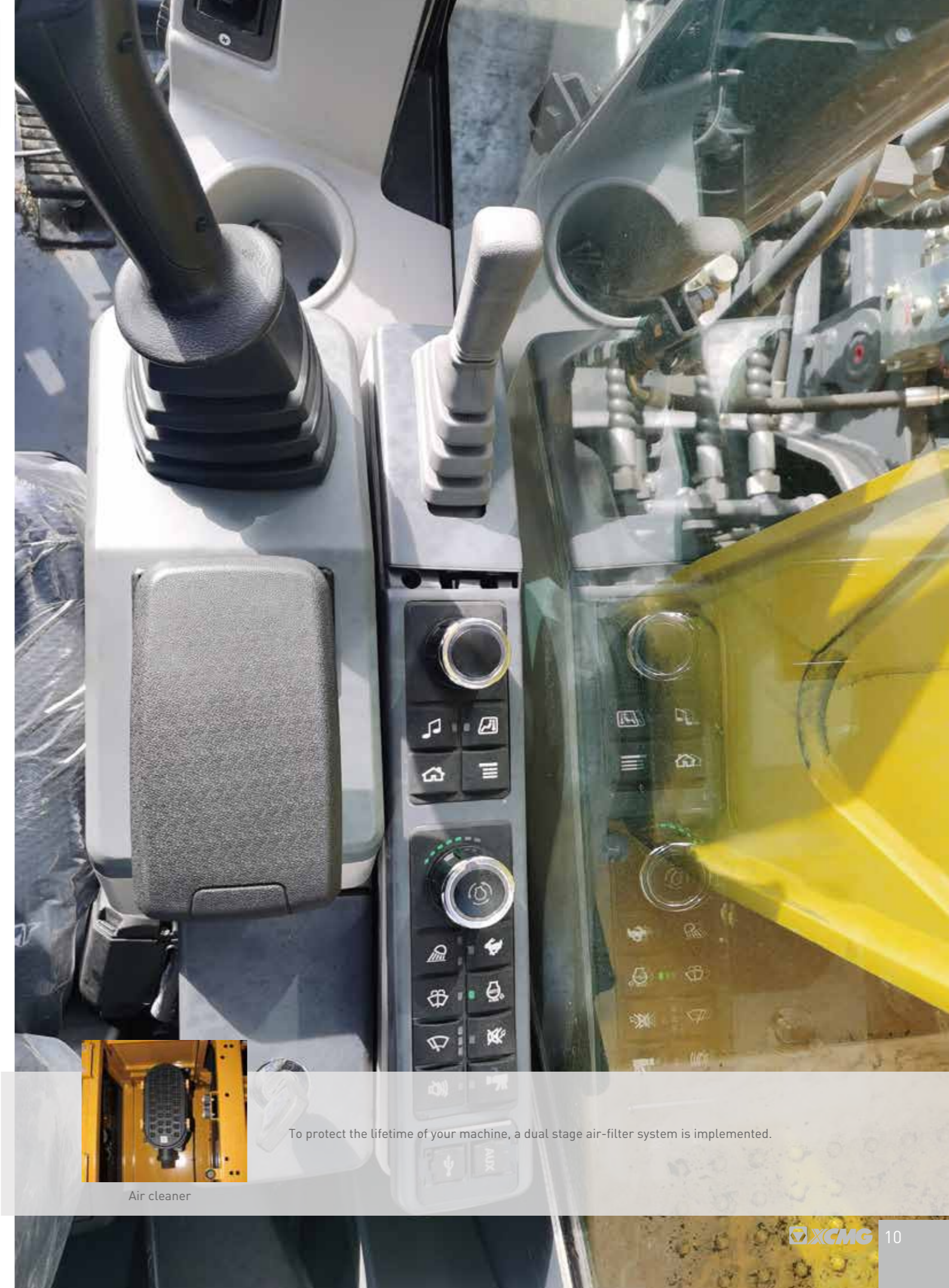
Dynamic power management

- Activating the power boost control system increases the digging force by 8.8 %
- Auto-idling starts 4 seconds after all controls are returned to the neutral position.

8 attachment modes and 3 power modes

Deliver the needed power according to your specific application while minimizing fuel consumption.

One click mode for quick selection and more convenient operation. Visual adjustment of pressure and flow parameters for more intelligent control.



Air cleaner

To protect the lifetime of your machine, a dual stage air-filter system is implemented.

► Designed for long-term robustness and safety

XCMG has developed one of the most rigorous strength and reliability testing procedures, The XCMG E-series features durability under the most extreme conditions and is therefore one of the most popular brands in its home market.

We continually manufacture the most durable machines in order to reduce the cost of ownership. The robust upper frame, undercarriage structure, and front attachments show their real value in tough working conditions and guarantee higher productivity.



Reinforced durability of the X-chassis

The X-shaped undercarriage has a higher durability than demanded on the jobsite, as proven through numerous tests including road tests and virtual simulation.

Undercarriage durability with easy maintenance

- The chain is composed of sealed, self-lubricating links for long-term performance
- Long life track tensioners and the idlers
- Heavy-duty wear resistant cast sprockets
- Durable lubricated track rollers

Strengthened boom and arm

FEA has been used to calculate the best load distribution throughout the machine's structure. For better protection of the base of the arm, reinforced bars have been added. The arm structure has been strengthened for the roughest conditions.

Hi-grade (high-pressure) hoses

The E-series uses a new type of high-pressure hoses with improved heat and pressure resistance to increase the durability of the machine.

Reinforced pin, bush, and polymer shim

The new series improved the lubricity of the connecting parts between the machine and attachments. Gaps with attachments are minimized by wear-resistant long-life pins, bushes and polymer shims, supporting the highest performance with invariable durability.

► Excellent serviceability

Our machines are designed for simple routine maintenance, while skilled XCMG technicians are available to provide extra support if needed. To get the most out of your machine, choose the package you need from a broad range of service agreements. Uptime, productivity, and residual value are all maximized, making the XE155ECR an economical and rewarding choice.



Simple and easy maintenance

- A large guard rail is installed along with anti-slip steps and plates, for safer and easier access to the upper structure.
- The cab's air-conditioning filter is lockable and placed on the cab's side for easy access.
- A battery cut-off switch to easily disconnect the battery for jobsite-required safety measures.
- Shut-off valves on the pre-filter piping line and fuel tank drain piping make servicing easier and prevent pollution from leakage.
- The engine parts can be reached easily via the top and side panels.
- For extra accessibility and servicing convenience, all filters (engine oil filter, fuel pre-filter, fuel filter, and hydraulic pilot filter) are located in the pump compartment.

Pre-start monitoring system

The XE155ECR has a pre-start monitoring system that shows you coolant temperature, hydraulic oil temperature, and engine oil pressure, fuel levels, and the AdBlue® level. It will also show fluid and filter intervals to keep the machine in top performing condition.

Proactive maintenance solutions

- Extended warranty: covering parts, travel, and labor
- Routine maintenance: your dealer will support you with routine service at regular intervals.
- Genuine parts: manufactured and tested to ensure long lifetime of your machine.

SCR tank and easy diesel filling

The ECU (Engine Control Unit) monitors the AdBlue® system with sensors and warns the operator of potential system malfunctions.

Centralized lubrication greasing points

To make maintenance easier.

■ Engine

Designed to deliver superior performance and fuel efficiency, the Cummins Stage V diesel engine fully meets the emissions regulations. To optimize machine performance, the engine uses high-pressure fuel injectors, a VGT™ turbocharger inter-cooler, and electronic engine controls. 4-cycle water-cooled, turbocharged, Selective Catalytic Reduction (SCR) with a Diesel Particulate Filter (DPF).

XE155ECR	
Model	Cummins B4.5
No. of cylinders	4
Rated power at 2200 rpm (SAE J1995)	90 kW (121 hp) at 2200 rpm
Max. torque at 1500 rpm	500
Idle (low - high)	700 - 1200 rpm
Piston displacement	273 in³ (4.5 L)
Bore × stroke	107 mm × 124 mm
Starter	24 V × 4.8 kW
Batteries - Alternator	2 × 12 V-70 A/24 V
Air filter	"Donaldson's the latest PSD air filter and pre-filtered dust separator"

■ Undercarriage

Extremely robust construction throughout - made of high-quality, durable materials, with all welded structures designed to limit stresses.

- Lifetime lubricated track rollers, idlers and sprockets fitted with floating seals
- Track shoes made of induction-hardened alloy with triple grouser
- Heat-treated connecting pins
- Hydraulic track adjuster with shock-absorbing tension mechanism

• Number of rollers and track shoes per side

XE155ECR	
Upper rollers (standard shoe)	2
Lower rollers	7
Number of links and shoes per side	46
Overall track length	3733

■ Weight

	Shoe width (mm)	Operating weight (t)	Ground pressure (kgf/cm²)
Triple grouser	500(Std.)	16600	0.424
	600	16670	0.355
	700	16850	0.307

■ Component weights

Item	Unit	XE155ECR	Remarks
Upper structure without front attachment	kg	9000	With counterweight
Lower structure assembly	kg	5470	500 mm shoe
Front assembly	kg	2130	Without cylinder
Counterweight	kg	3300	Standard counterweight
Boom	mm / kg	4600/904	Not including bushing
Arm	mm / kg	2520/435	Not including bushing

■ Hydraulic system

The XICS (XCMG intelligent Control System) is the brain of the excavator - minimizing fuel consumption and enabling the efficiency of the hydraulic system to be optimized for all working conditions. To harmonize the operation of the engine and the hydraulics, the XICS is connected to the engine's electronic control unit (ECU) via a data transfer link.

- The hydraulic system enables independent and combined operations - 2-speed travel offers either increased torque or high travel speed
- Cross-sensing pump system and auto-deceleration system improves fuel efficiency.
- 8 attachment modes, 3 power modes - flow and pressure control of auxiliary hydraulic circuits from the control panel
- Computer controlled pump flow control

• Pump flow and system pressure

XE155ECR	
Main pumps, type:	"2 × variable displacement tandem axial piston pumps"
Maximum flow at 1800 rpm	2 × 113.4 l/min
Pilot pump, type:	Gear pump
Maximum flow at 1800 rpm	18 l/min
Relief valve settings:	
Pressure up	350/380 kg/cm²
Travel	350 kg/cm²
Swing	255 kg/cm²
Pilot	40 kg/cm²

■ Hydraulic cylinders

High-strength steel piston rods and cylinder bodies. A shock-absorbing (cushion) mechanism fitted in all cylinders for shock-free operation and extended piston life.

Cylinders	Quantity	Bore × rod diameter × stroke (mm)
Boom	2	105 × 70 × 941
Arm	1	120 × 80 × 1120
Bucket	1	100 × 70 × 852

■ Swing mechanism

The swing mechanism uses an axial piston motor, driving a 2-stage planetary reduction gear for maximum torque bathed in oil.

- Swing bearing: single-row, shear type ball bearing with induction hardened internal gear
- Internal gear and pinion immersed in lubricant

• Swing speed & torque

XE155ECR	
Maximum swing speed	11.3 rpm
Maximum swing torque	34 kN.m

■ Drive

An independent, high-torque axial piston motor through a planetary reduction gearbox drives each track. Two levers with foot pedals guarantee smooth travel with counter-rotation on demand.

The track frame protects the travel motors with hydraulically released multi-disc brakes and planetary gears.

• Speed & traction

XE155ECR	
Travel speed (low - high)	2.9- 4.7 km/h
Maximum traction	13.4 ton
Maximum gradeability	35° / 70 %

■ Fluid capacities

XE155ECR	
Fuel tank	200 L
Cooling system (radiator)	18.9 L
Urea (DEF) tank	16.9 L
Hydraulic oil tank	90 L
Engine oil	11 L
Swing drive	1.8
Travel device	2 × 2.1

■ Cab

Optimal climate control is provided by the integrated air-conditioning and heating system. An automatically- controlled fan supplies the pressurized and filtered cab air, which is distributed throughout the cab from multiple vents. The fully adjustable heated air suspension operator's seat includes a seat belt. The operator can adjust the ergonomic seat and joystick console separately according to his preferences.

• Noise emission

XE155ECR	
Noise level LpA(IOS 6396)	71 dB(A)
Noise level LwA(IOS 6395)	101 dB(A)

■ Buckets

Bucket type	Capacity (m³) SAE	Width (mm)		Weight (kg)	Boom 4.6 m	
		With side cutters	W/o side cutter		Arm 2.52 m	Arm 2.1 m
					Shoe 500 mm	Shoe 500 mm
GP	0.32	/	600	376	A	A
	0.4	880	822	430	A	A
	0.6	1096.9	1040.2	501	A	A
	0.7	1239	1182.2	539	A	A
HD	0.52	1012	1012	497	A	A
	0.55	1040	1040	515	A	A
	0.6	1112.4	1112.4	528	A	A
	0.65	1160	1160	538	A	B
SD	0.7	1258.4	1258.4	569	B	C
	0.52	930	930	513	A	A

GP: General purpose; HD: Heavy duty; SD: Severe duty;

A: Suitable for materials with a density less than or equal to 2100 kg/m³;

B: Suitable for materials with a density less than or equal to 1800 kg/m³;

C: Suitable for materials with a density less than or equal to 1500 kg/m³;

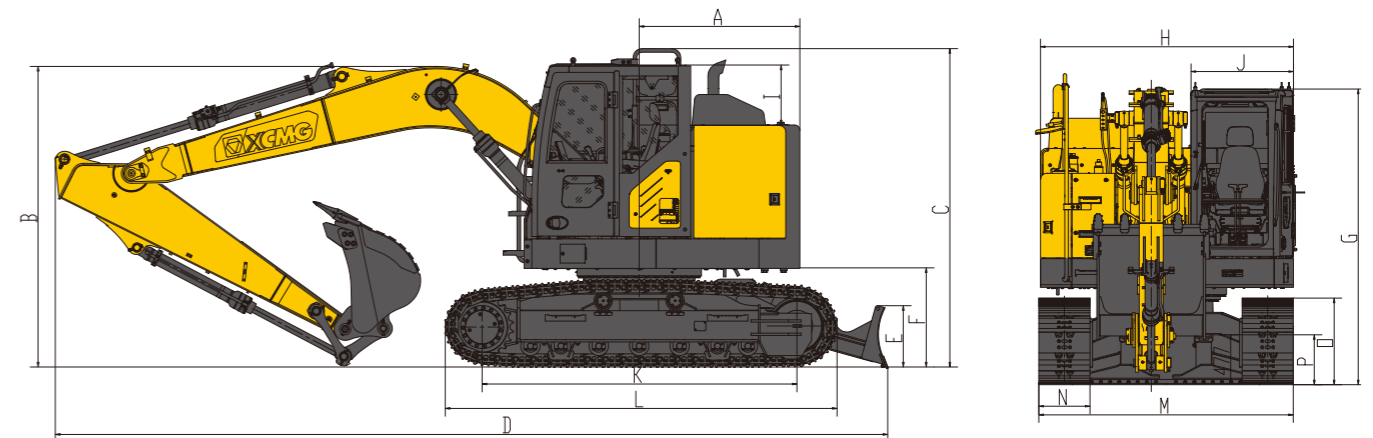
Based on ISO 10567 and SAE J296, arm length without quick-coupler. For reference only.

Standard track width: 2490 mm · W/o bucket

Unit: 1000 kg	A	Chassis frame	1.5 m		3.0 m		4.5 m		6.0 m		Max. reach	
	B	Attachment										
One-piece boom 4.60 m Arm 2.52 m Shoe 500 mm Counterweight 2.8	7.5m	Dozer up			*3.56	*3.56					*2.66	*2.66
		W/o dozer			*3.56	*3.56					*2.66	*2.66
	6.0 m	Dozer up					*3.27	*3.27			*2.14	*2.14
		W/o dozer					*3.27	*3.27			*2.14	*2.14
	4.5 m	Dozer up					*3.78	*3.78	*4.32	*3.7	*3.18	2.36
		W/o dozer					*3.78	*3.78	*4.32	*3.7	*3.18	2.36
	3.0 m	Dozer up			*7.36	*7.36	*5.37	3.82	4.14	2.52	*2.01	*2.01
		W/o dozer			*7.36	*6.96	*5.37	3.82	3.68	2.25	*2.01	1.82
	1.5 m	Dozer up			*8.26	*6.38	*6.36	3.57	4.14	2.38	*2.08	*1.91
		W/o dozer			*8.26	*6.14	5.67	3.41	3.56	2.24	*2.08	*1.78
	0.0 m	Dozer up			*7.22	*6.44	6.08	3.42	4.12	2.34	*2.34	1.84
		W/o dozer			*7.22	*5.88	5.42	3.18	3.56	2.2	*2.34	1.71
-1.5 m	Dozer up	*5.24	*5.24	*10.55	*6.32	6.18	3.46	4.06	2.28	*2.85	2.12	
	W/o dozer	*5.24	*5.24	*10.55	*5.92	5.2	3.28	3.52	2.08	*2.85	2.02	
-3.0 m	Dozer up	*9.04	*9.04	*8.46	*6.33	*6.12	3.44			*4.08	2.72	
	W/o dozer	*9.04	*9.04	*8.46	*6.14	5.56	3.26			*4.08	2.52	

- The lifting capacity is based on the ISO10567 standard.
- * = The maximum lifting capacity is limited by the hydraulic capacity of the machine.
- The lifting capacity does not exceed 87 % of the hydraulic capacity or 75 % of the tipping load with the machine on level and firm ground.
- The operator should be familiar with the machines operating- and maintenance manual. Local regulations concerning the safe operation of machinery must be followed at all times.
- The lift diagrams only covers machines that are originally built by XCMG; without lifting chains and any other lifting equipment.
- When the excavator is used to lift or handle materials, it must comply with local regulations.

: Over front
 : Over side or 360°

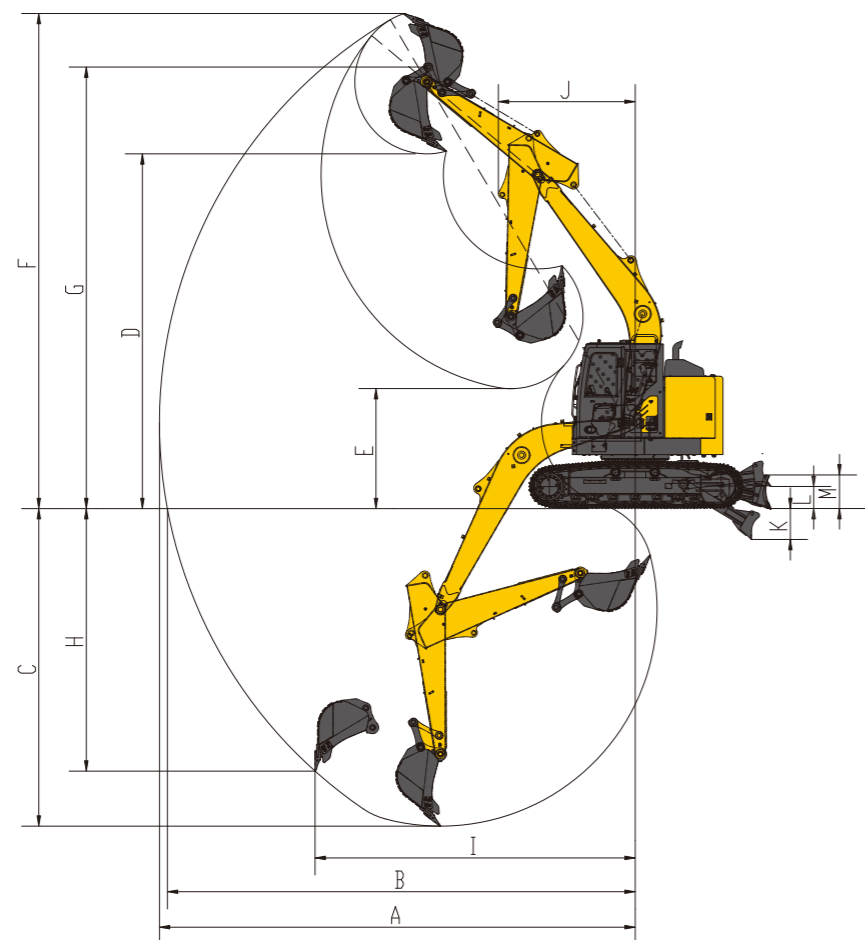


Dimensions

XE155ECR		One-piece boom
	Boom length - mm	4600
	Arm length - mm	2520
	Bucket capacity - m³	0.65
A	Tail swing radius - mm	1530
B	Shipping height (boom) - mm	2860
C	Shipping height (guardrail) - mm	3030
D	Shipping length - mm	7924
E	Blade height - mm	2490
F	Counterweight clearance - mm	944
G	Height over cab - mm	2885
H	Upper structure width - mm	2476
I	Cab height above engine hood - mm	1947
J	Cab width - mm	994
K	Tumbler distance - mm	3839
L	Track length - mm	3733
M	Undercarriage width - mm	2490
N	Shoe width std. - mm	500
O	Track height - mm	836
P	Ground clearance - mm	476

Digging forces (ISO)

XE155ECR		One-piece boom
	Boom length - mm	4600
	Arm length - mm	2520
	Bucket capacity - m³	0.65
	Bucket (Normal/Press. Up) - ton	99/107
	Arm (Normal/Press. Up) - ton	70.6/73.4



Working range

XE155ECR		One-piece boom
Boom length - mm		4400
Arm length - mm		2520
Bucket capacity - m ³		0.65
A	Max. digging reach - mm	8295
B	Max. digging reach (ground) - mm	8155
C	Max. digging depth - mm	5535
D	Max. unloading height - mm	6185
E	Loading height - mm	2088
F	Max. digging height - mm	8650
G	Max. bucket pin height - mm	7449
H	Max. vertical wall depth - mm	4697
I	Max. radius vertical - mm	5452
J	Min. swing radius - mm	2475
K	Max. blade depth - mm	523
L	Max. blade height - mm	383
M	Blade height - mm	472

Engine

Urea Tank	●
Automatic preheating	●
Fuel-water separator with water level indication sensor	●
Fuel-water separator with heater [24 V]	○
Straight-flow air cleaner	●
50 °C high temperature ambient cooling assembly	●
Dust screen for radiator	○
Fuel marker	●
Fuel-water quick release device	●
Air filter service indicator	●
Auto-idle function	●

Hydraulic System

Auxiliary hydraulic valve	●
One & two way hydraulic line for hammer and thumb plier	●
Hydraulic quick coupler lines	●
Attachment tilting and rotating lines	●
Hydraulic oil ISO VG 46	●
Hydraulic oil ISO VG 32	○
Hydraulic oil ISO VG 68	○
Right proportional joystick with rocker switch [AUX1]	●
Left proportional joystick with rocker switch [AUX2]	●
Gauge pressure monitoring	●

Cab & Interior

Pressurized cab	●
Air suspension seat with heater	●
Control box	●
Rain visor	●
Front windshield divided 70/30 ratio	●
Double laminated windshield and other toughened windows	○
Sliding fold-in front window	●
Bi-directional air outlet air conditioner with defroster [pressurization function]	●
"Color LCD liquid crystal display capable of displaying warning information, and working hours"	●
Travel control pedal with detachable manual control lever	●
Double stereo speaker	●
Cup holder	●
Coat hook	●
Floor mat	●
Retractable seat belt [51 mm [2"] wide]	●
High and low travel speed switch	●
One-key boost mode	●
Reserve switch for working aids	●
Sunlight protection, roof	●
Top sunroof	●
Windshield wiper with intermittent feature	○
File packet	●
Rear window emergency exit	●
Hammer for emergency escape	●

Undercarriage

2x2 track guard	●
2 x46 joint track, 2x7 bottom roller, 2x2 track guard	●
2x2 top roller	●
Bottom frame traction ring	●
500 mm [20"] triple grouser track shoes	●
Protective device kit: undercarriage bottom sealing plate, travel motor sealing plate	●
600 mm [24"] triple grouser track shoes	○
700 mm [28"] triple grouser track shoes	○
500 mm [20"] Track rubber block	○
Track rubber block	○

Working device

Boom 4.6 m	●
Arm 2.52 m	●
0.65 m ³ reinforced bucket	●
Arm 3.0 m	○
0.52 m ³ Rock bucket	○
0.52 m ³ reinforced bucket	○
0.32/0.4/0.72 earthwork bucket	○

Electronic system

Battery [2x 600 CCA, 2X70 Ah]	●
70 A 24 V DC generator	●
4.8 kW starter motor	●
24 V cigarette lighter	○
12 V cigarette lighter	○
5 V USB interface	○
Engine stop switch in the cab	●
Right-view camera	○
Rear-view camera	●
270° range image	○
AM-FM radio with digital display	●
Travel buzzer with switch	●
Beacon lamp	●
2 LED cab-mounted front lights	●
1 LED cab-mounted rear light	●
2 LED boom-mounted lights	●
12V power interface	●
Ceiling light	●

Counterweight

3.3 t counterweight	●
---------------------	---

Lubrication system

Centralized lubrication greasing points	●
---	---

Safety

Driving door locks and cabin locks	●
Alarm horn	●
Quick-coupler switch with buzzer	●
Isolation plate between engine and oil pump chamber	●
Battery circuit breaker	●
Overheat alarm	●
Safety handrails and pedals	●
Anti-skid plate/ anti-skid paste	●
Hydraulic safety locking lever	●
Right and left rear-view mirrors	●
Counterweight rear-view mirrors	○
Safety valves for boom cylinders	●
Safety valve for arm cylinder	●
Roll over protective structure [ROPS]	●
Operator protective guard [OPG]	○
Safety net on the front lower windshield	○

Standard: ●
Optional: ○

Some of this standard or optional equipment may not be available for certain markets.
·Pictures may include attachments and optional equipment that are not available in your area.
·Materials and specifications are subject to change without advance notice.
·Please contact your local XCMG dealer for more information on availability or to customize your machine to suit your applications requirements.



XCMG-approved attachments



Genuine parts



Extension of warranty



Financial solutions



Maintenance contract



Telematics

Professional Integrated Complete Solutions

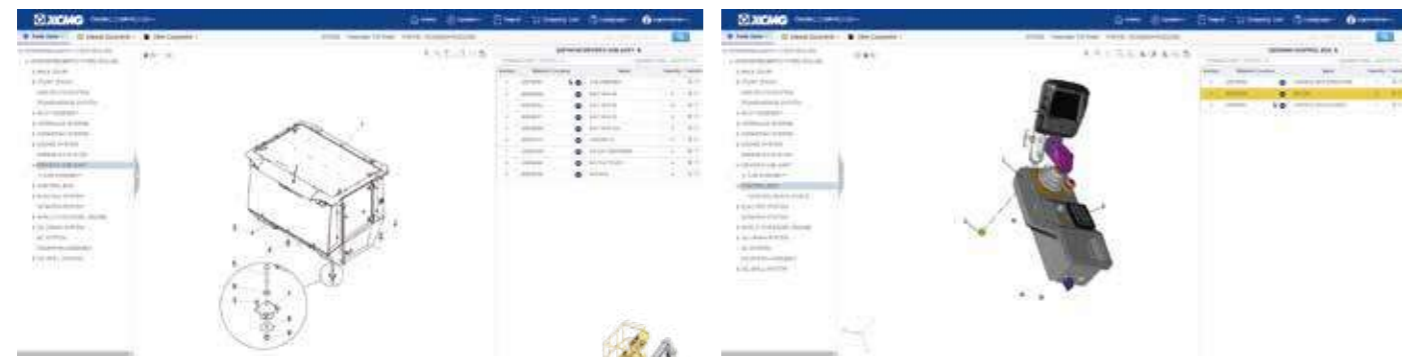
The XCMG group has built a strong reputation based on the quality, reliability, and durability of its construction machinery. What's more, XCMG has gradually established a service network to constantly provide its local integrated and highly efficient complete solutions for all users.

Full range of services ready for you

In order to respond to your needs as fast as possible, XCMG experts are on their way to your job site from one of our facilities near you. A full range of services is available in order to reduce your total cost of ownership and increase your revenue.



XCMG Global Spare parts System



Mobile cranes



Excavators



Aerial work platforms



Wheel loaders



Road machinery

