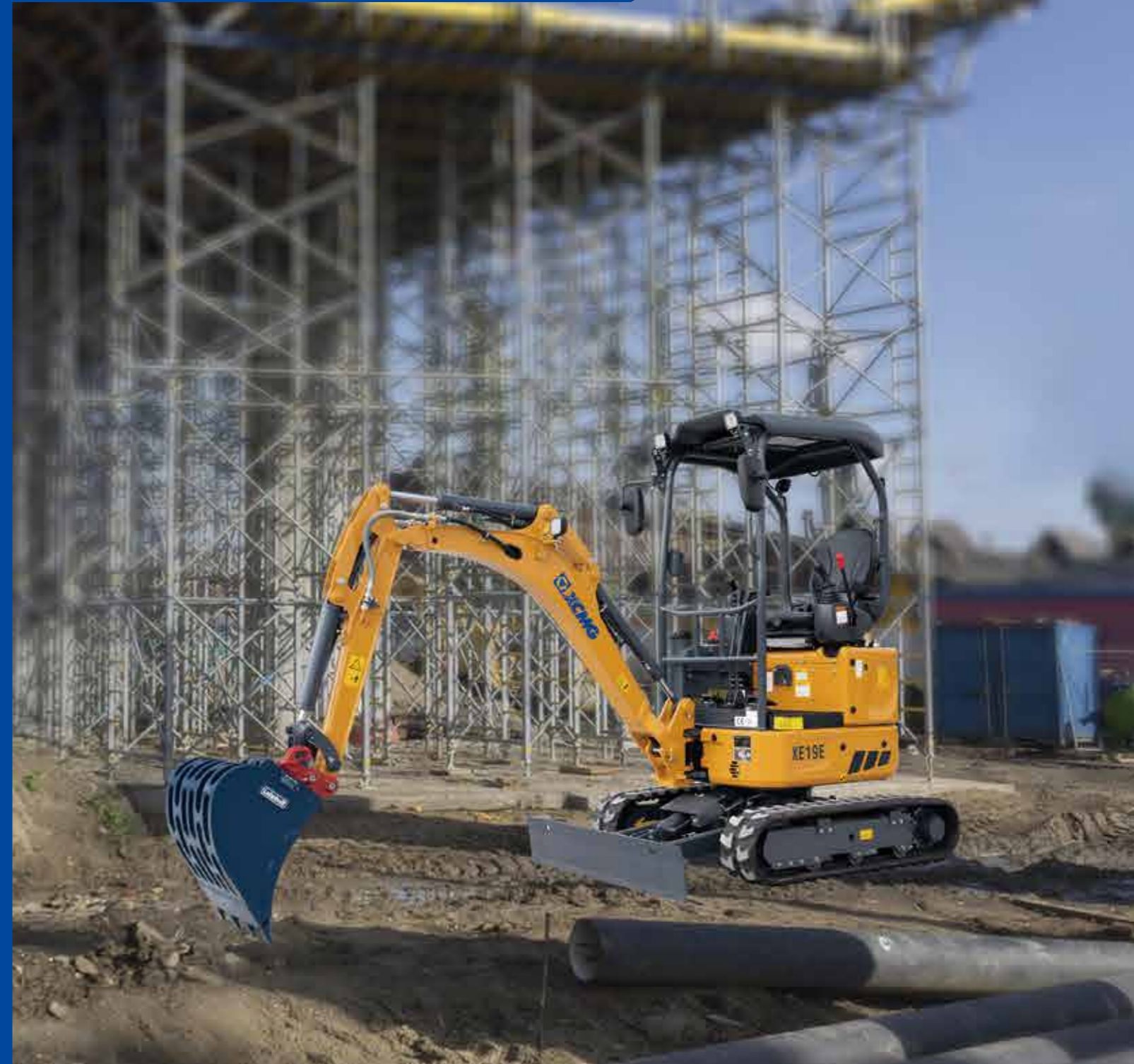


All Rights Reserved

Materials and specifications are subject to change without notice.
Featured machines in photos may include additional equipment. See your XCMG dealer for available options.



Mini Excavators
XE19E



XCMG European Sales and Services GmbH

Address: Europark Fichtenhain B 4,47807 Krefeld, Deutschland
Tel: +49 (0) 2151 8206 890
Fax: +49 (0) 2151 8206 899
E-Mail: info@xcmg-ess.de

XUZHOU CONSTRUCTION MACHINERY GROUP IMP. & EXP. CO., LTD

Address: No.1, Tuolanshan Road, Xuzhou Economic Developing Zone, Jiangsu, China 221004
Tel: + 86(0) 516 8773 9703
Fax: + 86(0) 516 8773 9230
E-Mail: europe@xcmg.com

www.xcmg.com

Rated power: 15.4 kW
Operating weight: 1.9 t
Standard bucket capacity: 0.04 m³





INTRODUCTION OF XCMG

XCMG, as a leading enterprise valued of 100 billion RMB, with the largest scale, the best technology level, the largest export volume, and high competitiveness and influence in China's construction machinery industry, has been occupying the first place in China's construction machinery industry for decades, and it now ranks the third in the world industry and the 395th among the world's top 500 brands.

The main products by XCMG consists of 16 categories of equipment such as hoisting machinery, excavation machinery, concrete machinery, mining machinery, earth-moving machinery and road machinery, etc., as well as three categories of key components such as hydraulic system, transmission system and electric control system. Among above-mentioned, hoisting machinery ranks first in the world, and package solution of road construction and maintenance machinery, piling machinery and concrete machinery are among the first-class bloc in the world.

XCMG has accumulated more than 8000 approved patents, including more than 1900 invention patents and more than 130 PCT international patents. Entities of R&D centers, manufacturing plants or KD factories are in operation in more than 10 countries such as Germany, the United States, Brazil and India. XCMG has also acquired three European enterprises including Schwing in Germany. The Brazil manufacturing plant, with an investment of 350 million dollars to build up factories on a bare ground, has become a model of economic cooperation between China and Brazil. At present, XCMG products are exported to 187 countries and regions, covering 97% of the countries along "The Belt and Road" area. In export business to 35 countries, XCMG's proportion ranks NO. 1, with a steady first place within Chinese industry in terms of annual export volume and overseas income.

XCMG IN EUROPE

Since 1990s when XCMG was already a known brand within the industry in Europe, XCMG has been one of the major international manufacturers supplying products and service across the Continent. With its rapid development in recent years, XCMG is gradually building up an all-round network including: R&D department; local distribution, supply chain management and an integrated customer services and training center.

At present, XCMG has 3 subsidiaries in operation, with more than 100 multinational employees in Europe:

-ERC XCMG European research center GmbH

-EPC XCMG European purchasing center GmbH

-ESS XCMG European sales and services GmbH

XCMG is also holding a resource of more than 100 branches by local dealers throughout the Europe, generating a whole value chain that is serving the entire European market, including sales, service, financing, used equipment recycle, etc.

We actively and continuously implement our globalization strategy. Our first-class international team has many years of professional experience and excellent cross-cultural management capability.

With a strong combination of expertise and practical experience in a multicultural context, we create real value and provide a high level of return on investment to our European customers.



► A Compact Model with High Performance

This mini excavator is ready for today's tough jobs. The XE19E with OPG/TOPS/ROPS (ISO 3471) canopy provides excellent visibility, stability, optimal comfort, and safety. For tough jobs in tight corners that demand precision control and state-of-the-art performance. The XE19E is ready to work, offering the following advanced features: Short-tail swing, hydraulic retractable undercarriage, boom swing, short and long arm, and powerful digging forces. Add high reliability, low operating costs, and superior efficiency, you have the ideal mini excavator for a wide range of modern jobs.

Short-tail swing

With short-tail swing, even the tightest space becomes an efficient work place. The tail always stays within the width of the tracks (when extended) and lets you turn the canopy through-out its 360-degree turning radius with complete confidence and safety. As the starting point for developing our short-tail XE19E, balance and fast and smooth operation were our main targets. The result is a compact excavator with excellent balance, which comes to its full potential in urban environments, landscaping, and small demolition in and outside buildings.

Retractable Undercarriage

With the standard hydraulic retractable undercarriage, passing through narrow doorways and gates becomes very easy. The undercarriage guarantees the operator better stability together with improved lifting and loading performance.



Boom Swing

The left and right boom swing angle supports complex operating conditions like parallel wall digging or working in narrow spaces.

AUX1 Double Working Attachment Pipeline as Standard

The auxiliary pipeline provides single-way as well as dual-way hydraulic control, for easy control of attachments.

► Large Operator Environment with Ergonomic Control Layout

The XE19E provides an uncompromised operator environment – which, together with excellent visibility, provides unmatched operator comfort and safety. This machine is built around the operator – providing optimal ergonomics for operators of all sizes. Access to the seat is convenient thanks to the large entry.



- 1 Operator station
- 2 Boom swing pedal
- 3 AUX1 pedal
- 4 Safety lever
- 5 Dozer blade control lever
- 6 Throttle lever
- 7 LCD color monitor
- 8 Joystick
- 9 Traveling control levers
- 10 Power switch

► Easy Service Access

The XE19E was developed with particular attention to ease of service access. With a single access point for the daily maintenance of all main components, a fuel level gauge and refueling through the lockable cap.



The XE19E is designed for lower maintenance costs with longer service intervals—resulting in more machine availability on-site. Meanwhile, skilled XCMG-trained technicians are available to provide extra support when needed.



- 1 Oil level gauge
- 2 Oil filter
- 3 Diesel filter
- 4 Oil-water separator

- 5 Auxiliary water tank
- 6 Air filter
- 7 Start motor

■ Engine

XE19E	
Make/model	Kubota/D1105/EU Stage V
Fuel/cooling	Diesel/Liquid, forced circulation
No. of cylinders	3
Piston displacement	1123 cm ³
Power output	15.4kW (20.9hp) /2400 rpm (ISO 14396)
Max torque	70.3 Nm/1600 rpm
Bore × stroke	78.0 mm×78.4 mm
Alternator	12 V/40 A

■ Hydraulic system

This XCMG design allows independent and combined operations of all functions by hydraulic pilot-controlled levers.

• Pump

XE19E	
Type	Load-sensing axial-piston pump with variable displacement
Maximum system flow rate	50.6 l/min
AUX1 maximum flow rate	30 l/min
AUX1 standard pressure	150 bar

• Maximum system pressure

XE19E	
Relief valve setting pressure	25.3 MPa
Travel system	21 MPa
Swing system	11 MPa
Pilot system	3.5 MPa

■ Undercarriage

Retractable undercarriage. The heavy-duty crawler chassis is very resilient with its fully welded, stress-free structure. Long service life is ensured by the use of first-class materials: hydraulic chain adjusters with shock-absorbing return springs, lifetime-lubricated track rollers and idlers.

• Number of rollers and track shoes

XE19E	
Bottom rollers (per side)	3
Track shoes	Rubber
Overall track length	1563.5 mm
Shoe width	230 mm



■ Fluid capacities

XE19E	
Cooling system (radiator capacity)	5 L
Engine lubrication plus oil filter	5.1 L
Fuel tank	25 L
Hydraulic tank	14.6 L
Hydraulic system	10 L

■ Environment

Noise levels comply with environmental regulations (dynamic values).

• Noise emission

XE19E	
Noise level LwA (ISO 6395)	93 dB(A)

■ Swing mechanism

A high-torque, axial piston motor with a planetary reduction gear bathed in oil. Swing circle is single-row, shear type ball bearing with induction-hardened internal gear. Internal gear and pinion gear are immersed in lubricant. A two-position swing lock secures the upper structure for transportation.

• Swing system

XE19E	
Boom swing, left	60°
Boom swing, right	50°
Slew rate	10 rpm

■ Drive

Each track is driven by an independent, high-torque, axial piston motor through planetary reduction gears. Two control levers provide smooth travel upon demand.

• Speed & traction

XE19E	
Travel speed (low - high)	2.5-4.4 km/h
Traction force	17.8 kN
Gradeability	30°

■ Digging forces (ISO 6015)

XE19E	
Digging force, standard arm (ISO 6015)	9.3 kN
Digging force, bucket (ISO 6015)	13.8 kN

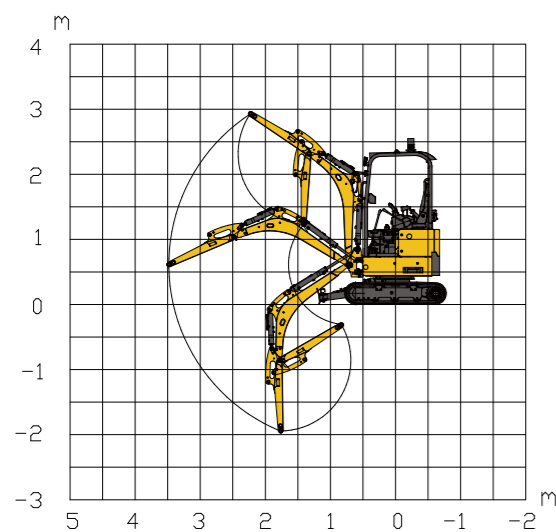
■ Weight

XE19E	
Operating weight with canopy and bucket (ISO 6016)	1900 kg
Ground pressure with rubber tracks	0.336 kgf/cm ²
Transport mass (no attachment)	1825 kg
Weight of rubber tracks	53 kg

XE19E

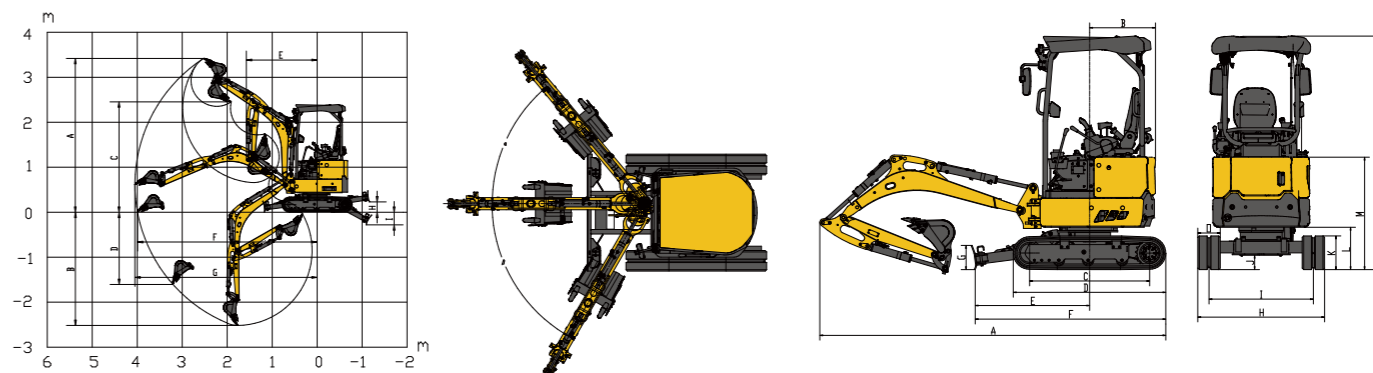
■ Canopy • standard arm (1090 mm) • extended undercarriage • without bucket

Lift Point Height	Over Front			Over Side			Max Radius (mm)		
	Lift At Max Radius (kg)	1.0 m	2.0 m	3.0 m	Lift At Max Radius(kg)	1.0 m		2.0 m	3.0 m
2.5 m	358.6				337				2739
2 m	296.5			313.4	278.5			294.5	3109
1 m	250		549.9	306.3	234.6		514	287.4	3455
0 m	248.7		514.5	295.3	233.1		479.2	276.6	3413
-1 m	297.3	999	508.8	278.3	278.3	999	473.6		2963
-1.5 m	*324.9	999	*466		*324.9	999	*466		2500



■ : Over front
■ : Over side or 360°

1. The lifting capacity is based on the ISO10567 standard.
2. * = The maximum lifting capacity is limited by the hydraulic capacity of the machine.
3. The lifting capacity does not exceed 87% of the hydraulic capacity or 75 % of the tipping load with the machine on level and firm ground.
4. The operator should be familiar with the machines operating- and maintenance manual Local regulations concerning the safe operation of machinery must be followed at all times.
5. The lift diagrams only covers machines that are originally built by XCMG: without lifting chains and any other lifting equipment.
6. When the excavator is used to lift or handle materials, it must comply with local regulations.



Working range

	XE19E	
A	Maximum digging height	3420 mm
B	Maximum diggng depth	2520 mm
C	Maximum dumping height	2455 mm
D	Maximum vertical wall digging depth	1605 mm
E	Minimum swing radius	1575 mm
F	Maximum digging reach at ground level	4000 mm
G	Maximum digging reach	4055 mm
H	Maximum dozer lifting height	229 mm
I	Maximum dozer cutting depth	278 mm

Dimensions

	XE19E	
A	Overall length	3550 mm
B	Tail slew radius	675 mm
C	Tumbler length	1230 mm
D	Track length	1565 mm
E	Dozer blade, maximum reach at ground level	1173 mm
F	Undercarriage length	1953 mm
G	Dozer blade height	248 mm
H	Overall width	990/1300 mm
I	Track gauge	760/1070 mm
J	Minimum ground clearance	147.5 mm
K	Track height	345.5 mm
L	Ground clearance of counterweight	433.5 mm
M	Overall Height of engine hood	1152 mm
N	Overall height	2395 mm
O	Track shoe width	230 mm
a	Maximum boom swing angle to the right	50
b	Maximum boom swing angle to the left	60

Standard and Optional Equipment

Engine

Kubota engine D1105, EU Stage V ●

Hydraulic system

Single or dual way pipeline (AUX1) ●
Auxiliary hydraulic valve ●

Canopy

OPG/TOPS/ ROPS (ISO 3471) canopy ●
Adjustable seat with retractable belt ●
Color LCD monitor ●
AUX1 control foot pedal ●
Foldable&ergonomic pedals ●

Undercarriage

Extendable undercarriage (990/1300 mm) ●
Easy extendable blade ●
Tie down bracket ●
Rubber tracks 230 mm ●

Safety

Engine overheat warning and restart prevention system ●
Hydraulic safety locking lever ●
Work light (1 on boom) ●
Battery switch off ●

Other

Standard arm 1090 mm ●
General purpose bucket 0.04 m³ ○
Quick coupler, attachments such as hammer, clamshell ○

Standard: ●
Optional: ○

·Some of this standard or optional equipment may not be available for certain markets.
·Pictures may include attachments and optional equipment that are not available in your area.
·Materials and specifications are subject to change without advance notice.
Please contact your local XCMG dealer for more information on availability or to customize your machine to suit your applications requirements.



Optimum Services, XCMG Guaranteed



XCMG-approved attachments



Genuine parts



Extension of warranty



Financial solutions



Maintenance contract



Telematics

Professional Integrated Complete Solutions

The XCMG group has built a strong reputation based on the quality, reliability and durability of its construction machinery. What's more, XCMG has gradually established a service network to constantly provide its local integrated and highly efficient complete solutions for all customers.



Full Range of Services Ready for you

In order to respond to your needs as fast as possible, XCMG experts are on their way to your job site from one of our facilities near you. A Full range of services is available in order to reduce your total cost of ownership and increase your revenue.

XCMG Global Spare Parts System



Mobile cranes

Excavators

Aerial work platforms

Wheel loaders

Road machinery

