



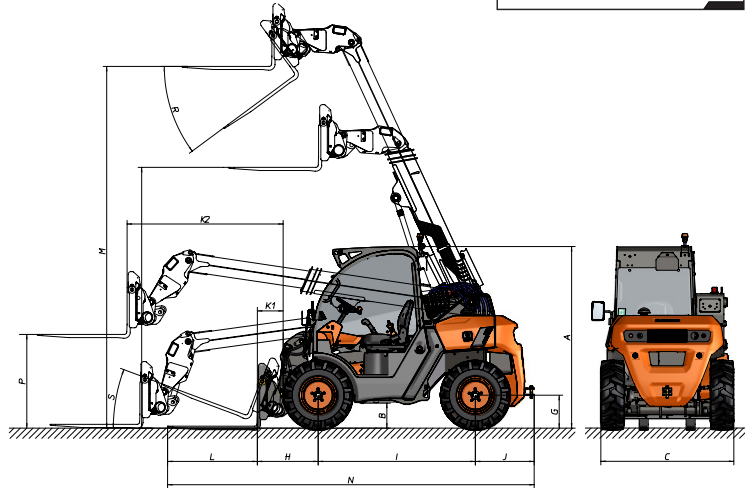
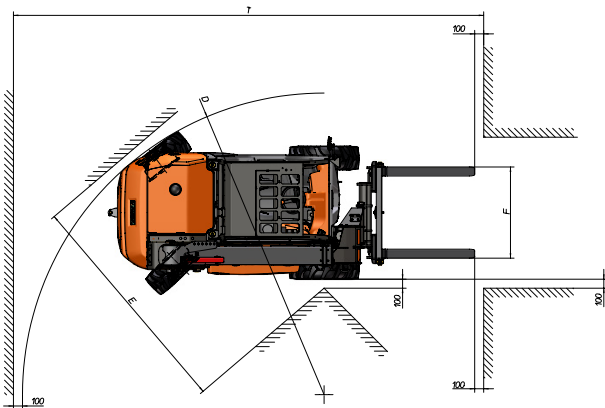
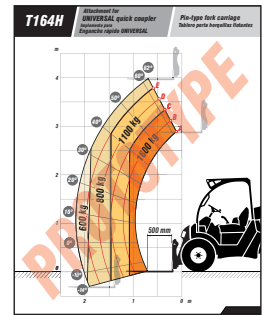
TECHNICAL DATA

GENERAL		T164E
Load capacity	kg	1600
Load capacity at maximum height	kg	800
Maximum lift	mm	4000
Maximum lift under maximum load	mm	3400
Maximum reach	mm	1740
Maximum load at maximum reach	kg	600
Unladen weight *	kg	3370
Transmission	-	Electric
ENGINE		
Peak/Nominal power	kW	21,2/8,6
Torque	N.m@rpm	35,5@2310
Peak torque	N.m	134
Emissions	-	Zero at the point of use
DRIVING		
Max. speed	Km/h	15
Maximum gradient	%	32
Traction	-	4X4 FullGrip®
Front tyres	-	10/75-15.3
Rear tyres	-	10/75-15.3
HYDRAULIC SYSTEM		
Hydraulic circuit	-	Triple gear pump
Flow rate	l/min	29
Working pressure	bar	210
Tank capacity	l	33
BRAKES		
Service	-	hydraulic and regenerative
Parking	-	Negative brake
CHARGE		
Built-in charger that allows it to be connected directly to an AC power source		
Approximate charging time, 20-80%	-	3h 15min (@230V) **
With external fast charging, 20-80%	-	1h 15min (@415V) **
Charging cable plug type	-	16A 110V (yellow); 16A 230V (blue); 16A 415V (red)
BATTERY		
Battery type	-	Lithium Ion (NCM)
Gross capacity	kWh	15,5/18,6
System voltage	V	48
Autonomy	-	One intense shift ***

* It may change due to optional equipment ** Subject to environmental conditions and to the kind and power of charging station. *** Subject to environmental conditions and the kind of use. For temperatures under 0°C it is recommended to fit the Long Range pack.

DIMENSIONS

Universal carriage



DIMENSIONS (mm)

T164H

A		2000
B		252
C		1405
D		2982
E		2481
F		1015
G		335
H		580
I		1700
J		450
K	228	1682
L		1000
M		4000
N		3730
O		2928
P		1094
T		4730
DIMENSIONS (°)		
R		37
S		20

▲ 1

▲ 2



www.ausa.com

Los materiales y especificaciones pueden estar sujetos a cambios sin previo aviso. Las imágenes pueden incluir equipamientos no estándar o no disponibles según las versiones.

El logotipo y la identidad corporativa, son propiedad de AUSA y no pueden utilizarse sin su autorización.